

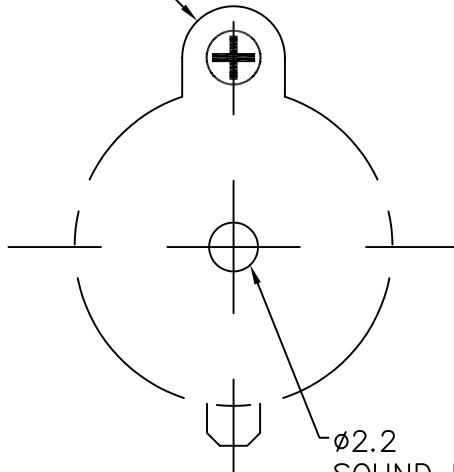
THIS DOCUMENT CONTAINS DATA PROPRIETARY TO PROJECTS UNLIMITED, INC. ANY USE OR REPRODUCTION, IN ANY FORM, WITHOUT PRIOR WRITTEN PERMISSION OF PROJECTS UNLIMITED, INC. IS PROHIBITED.  
 © 2005, Projects Unlimited Inc.

SPECIFICATIONS

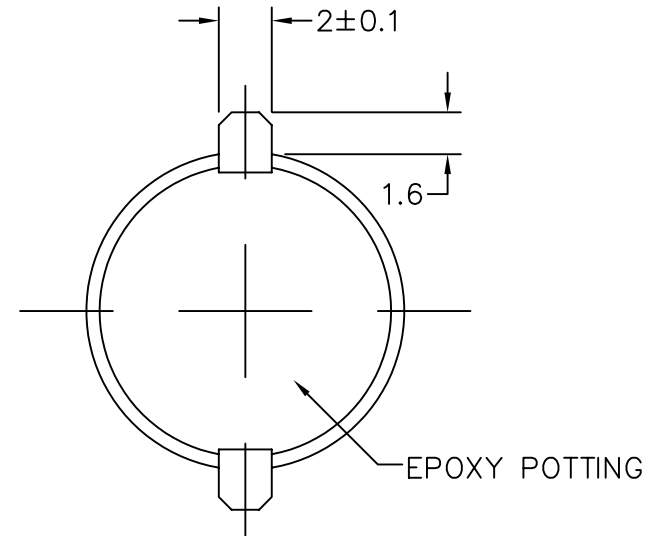
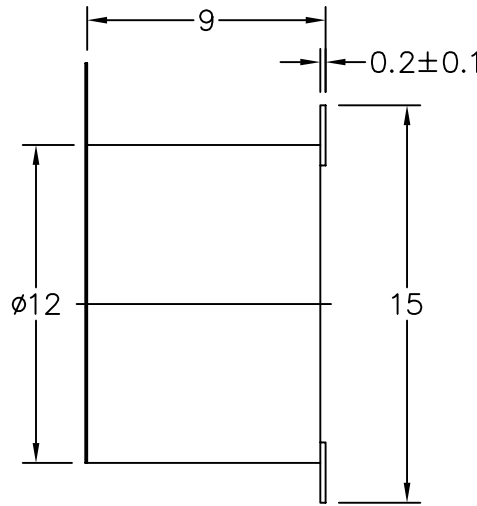
PARAMETERS	VALUES	UNITS
RATED VOLTAGE (SQUARE WAVE)	1.5	Vp-p
OPERATING VOLTAGE RANGE	1 ~ 3	Vp-p
RATED CURRENT (MAX)	40	mA
COIL RESISTANCE	15±2.3	OHM
MINIMUM SPL @ 10 CM	80	dBA
RESONANT FREQUENCY	2400±200	Hz
OPERATING TEMPERATURE	-40 ~ +85	°C
STORAGE TEMPERATURE	-40 ~ +85	°C
HOUSING MATERIAL	PPS	-
TERMINAL MATERIAL	GOLD PLATED BRASS	-
WEIGHT	1.6	grams

REVISIONS			
LTR	DESCRIPTION	DATE	APPROVED
-	RELEASED FROM ENGINEERING	5/17/06	

REMOVABLE TAB FOR WASHING




Ø2.2  
SOUND EMISSION HOLE



NOTES:

1. ALL DIMENSIONS ARE IN MILLIMETERS.
2. SPECIFICATION SUBJECT TO CHANGE OR WITHDRAWAL WITHOUT NOTICE.
3. THIS PART IS RoHS 2002/95/EC COMPLIANT.

UNLESS OTHERWISE SPECIFIED: DIMENSIONS ARE IN MILLIMETERS, TOLERANCES ARE ±0.5 AND ANGLES ARE ±3°.		 <b>projects® unlimited</b> Dayton, Ohio									
<table border="1"> <thead> <tr> <th>APPROVALS</th> <th>DATE</th> </tr> </thead> <tbody> <tr> <td>DRAWN <i>J.D.</i></td> <td>5/06</td> </tr> <tr> <td>CHECKED <i>E.P.</i></td> <td>5/06</td> </tr> <tr> <td>APPROVED <i>B.R.</i></td> <td>5/06</td> </tr> </tbody> </table>		APPROVALS	DATE	DRAWN <i>J.D.</i>	5/06	CHECKED <i>E.P.</i>	5/06	APPROVED <i>B.R.</i>	5/06	TRANSDUCER	
APPROVALS	DATE										
DRAWN <i>J.D.</i>	5/06										
CHECKED <i>E.P.</i>	5/06										
APPROVED <i>B.R.</i>	5/06										
FILE NAME <b>SMT-1224-TW-R.DWG</b>		SIZE <b>A</b>	DRAWING NO. <b>SMT-1224-TW-R</b>								
DO NOT SCALE DRAWING		SCALE: N.T.S.	SHEET 1 OF 1								